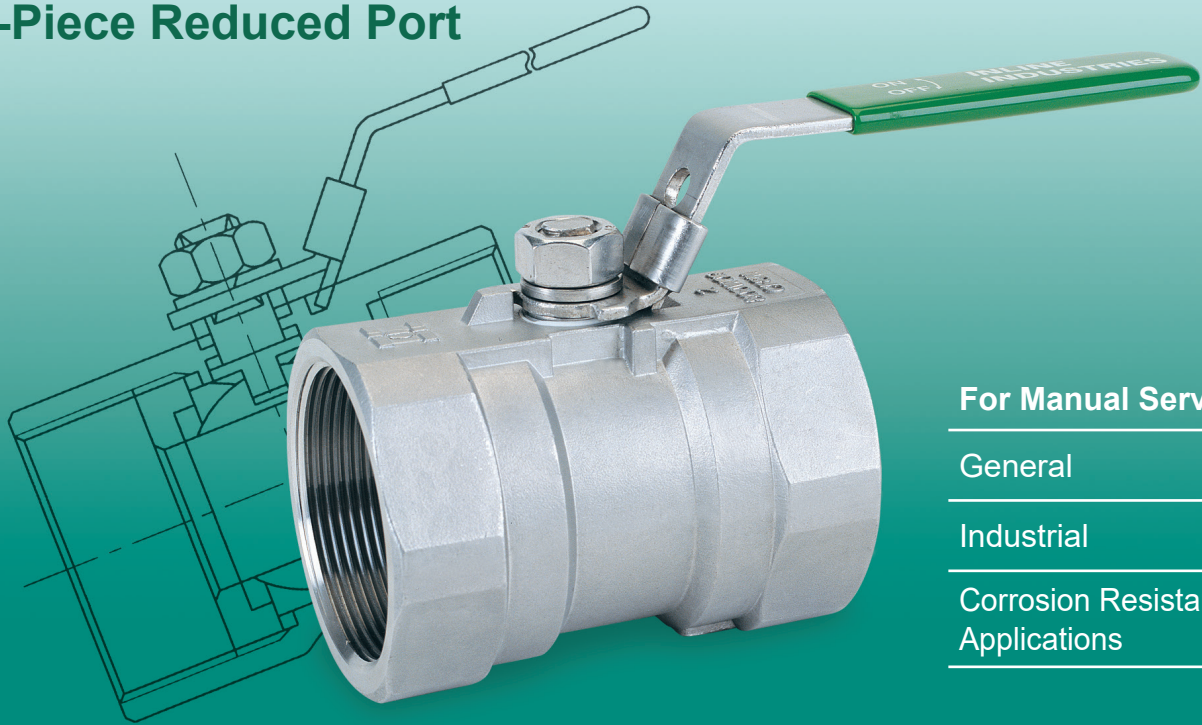


101R Ball Valve

1-Piece Reduced Port



For Manual Service

General

Industrial

Corrosion Resistant
Applications

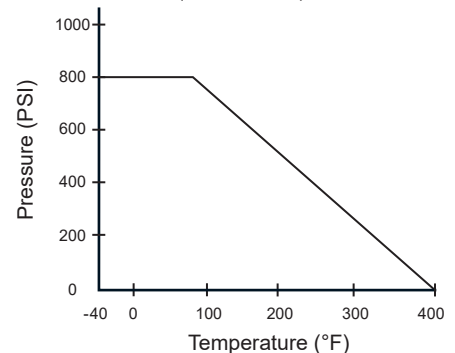
Standard Features and Benefits

- **Economical 1-Piece Design**
- **Blow-Out-Proof Stem**
- **Made of Corrosion-Resistant 316 SS (A351 Gr. CF8M)**
One valve can be used for many service conditions
- **Integral Locking Device**
Enables plant personnel to secure valve in open or closed position when manually operated
- **Investment Cast**
High quality investment castings improve dimensional control and reduce porosity

Options

- **Reverse Handle (2" Only)**
- **Material Test Reports Available Upon Request**

101R Pressure/Temperature Chart
(PTFE Seats)

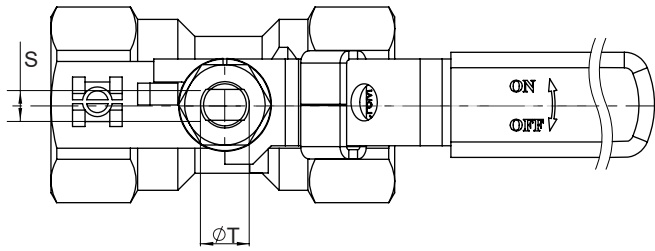


Operating Conditions

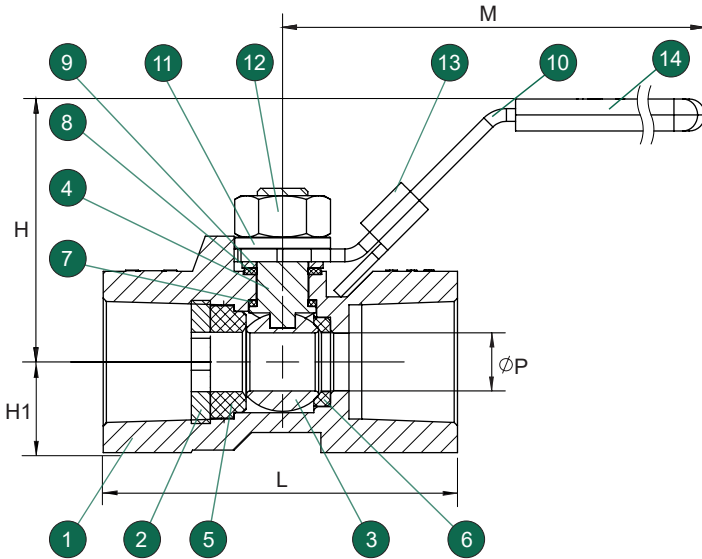
- **Temperature Range (PTFE):**
-40°F ~ 400°F
- **Maximum Pressure (PTFE):**
800 PSI CWP

Specifications

- All valves shell and seat tested to ASME B16.34, API 598 and MSS-SP-110
- All materials comply with applicable ASTM material specifications
- NSF/ANSI/CAN 61 & 372 Certified



Valve Components			
No.	Part Name	Material	Qty
1	Body	A351 CF8M	1
2	Body Insert	316 SS	1
3	Ball	316 SS	1
4	Stem	316 SS	1
5	Seat (Large)	PTFE	1
6	Seat (Small)	PTFE	1
7	Thrust Washer	RTFE (15% C.F.)	1
8	Stem Packing	PTFE	1
9	Packing Gland	304 SS	1
10	Handle	304 SS	1
11	Split Lock Washer	304 SS	1
12	Handle Nut	304 SS	1
13	Handle Lock	304 SS	1
14	Handle Cover	Vinyl	1



Size	Dimensions (Inches)							Cv	Weight (lbs)
	L	P	M	H	H1	S	T		
1/4"	1.56	0.20	3.1	1.4	0.4	0.12	0.19	1.0	0.2
3/8"	1.75	0.27	3.1	1.5	0.5	0.16	0.23	2.4	0.2
1/2"	2.19	0.36	4.0	1.6	0.6	0.20	0.31	3.6	0.4
3/4"	2.32	0.49	4.0	1.7	0.7	0.20	0.31	6.6	0.5
1"	2.76	0.59	4.7	2.0	0.8	0.24	0.39	10.0	0.9
1 1/4"	3.05	0.79	4.7	2.2	1.0	0.24	0.39	18.9	1.4
1 1/2"	3.23	0.98	5.7	2.3	1.1	0.31	0.47	32.4	2.0
2"	3.90	1.25	5.7	2.6	1.4	0.31	0.47	60.3	3.3

101R Ordering Information

Example: 2" Reduced Port Ball Valve with Lever Handle and Locking Device, 316 SS Body and Trim, PTFE Seats and Seals, NPT Ends

Valve Series	Valve Size	Body Material	End Material	Ball Material	Stem Material	Seat	Seal	End Connection	Port	Ball Configuration
101R - Reduced Port	2 3 5 7 A B C D	6 - A351 Gr. CF8M (316)	6 - A351 Gr. CF8M (316)	6 - 316 SS	6 - 316 SS	T - PTFE	T - PTFE	T - NPT	2 - 2 Way	S - Straight Port

Due to continuous product development, information may change without notice.



9056 Garvey Avenue
 Rosemead, CA 91770
 Tel: (800) 568-8998
 (626) 813-6188
 Fax: (626) 813-6186
 www.ballvalve.com
 info@ballvalve.com

Distributed by: